

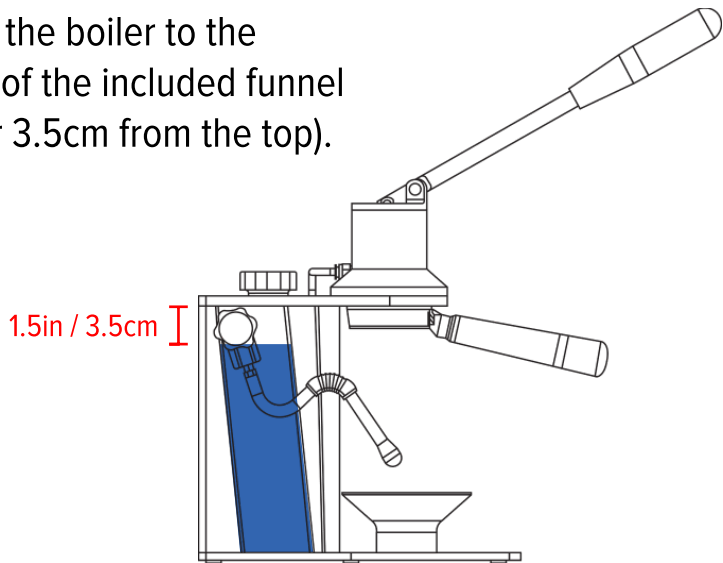


# THE ARGOS

LEVER ESPRESSO MACHINE

## QUICK START GUIDE

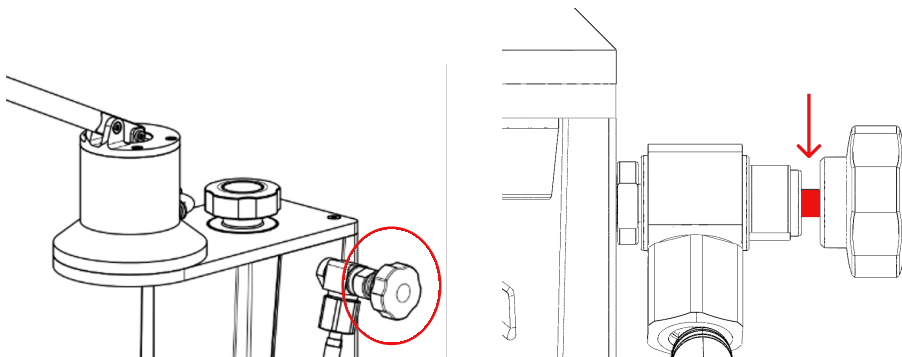
1. Only fill the boiler to the bottom of the included funnel (1.5in or 3.5cm from the top).



Symptoms of overfilling:

- Boiler pressure higher than 3 bars
- Unable to reach target shot temp for first shot
- Water leaking out of anti vacuum valve
- Water pooling at the bottom of the machine

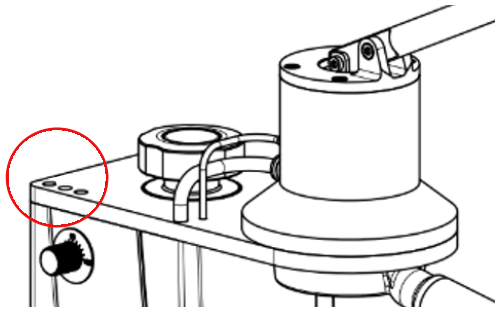
2. Do not tighten the steam knob completely. Stop turning when steam discontinues ( $\sim 3/4$  turn from tight).



Symptoms of over-tightening:

- Premature o-ring failure causing leaks

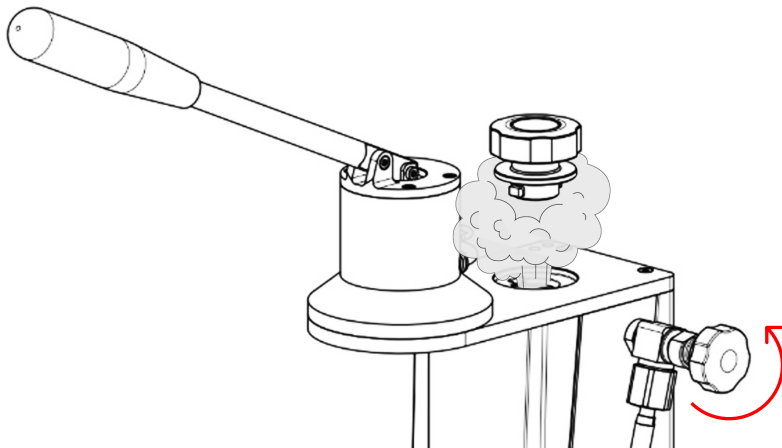
3. The machine works best immediately after reaching brew temperature (~5 minutes). If not pulling shots in quick succession (within a few minutes of each other) then it is best to turn the machine off between shots.



Sleep mode:

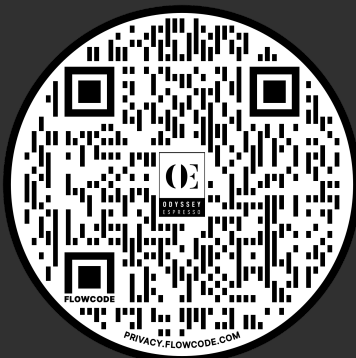
- Starts 10 minutes after idling
- All LEDs will be flashing
- Turn Argos off and back on to continue use

4. Only remove boiler cap with 0 bar pressure.

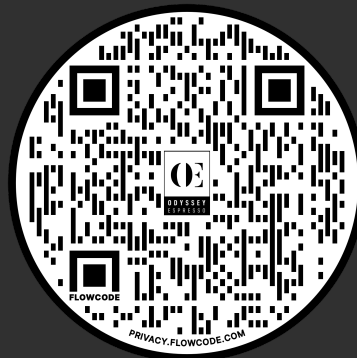


- Open steam wand to relieve pressure (be careful of hot steam)
- If refilling when machine is hot, use towel to remove boiler cap

# ARGOS USER MANUAL



# ARGOS DISCORD



Canada ICES-003 (B) / NMB-003 (B)